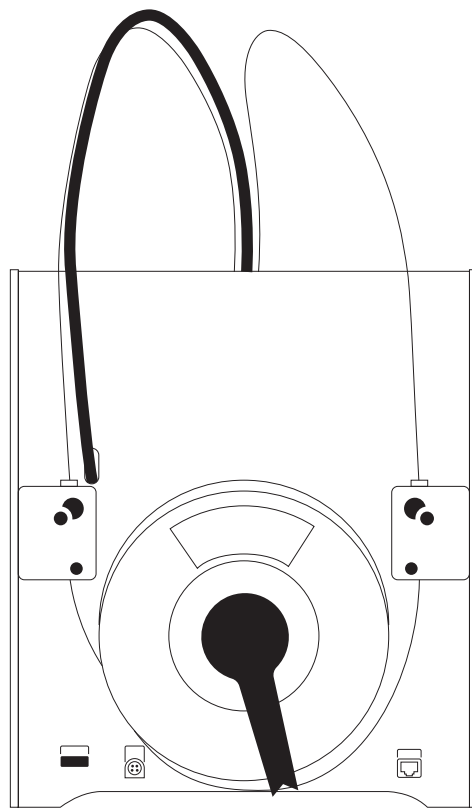
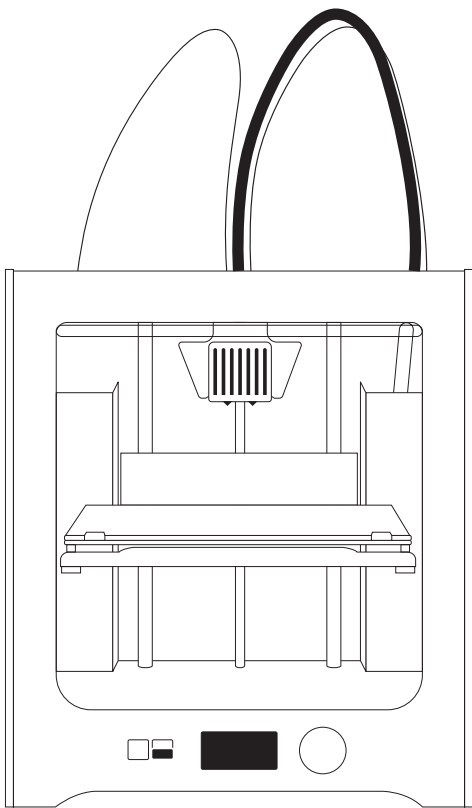


Ultimaker 3

Specification sheet



Specifications

Printer and printing properties

Technology	Fused deposition modeling (FDM)
Print head	Dual-extrusion print head with an auto-nozzle lifting system and swappable print cores
Build volume	Left nozzle: 215 x 215 x 200 mm Right nozzle: 215 x 215 x 200 mm Dual material: 197 x 215 x 200 mm
Filament diameter	2.85 mm
Layer resolution	0.25 mm nozzle: 150 - 60 micron 0.40 mm nozzle: 200 - 20 micron 0.80 mm nozzle: 600 - 20 micron
XYZ accuracy	12.5, 12.5, 2.5 micron
Print head travel speed	30 - 300 mm/s
Build speed	< 24 mm ³ /s
Build plate	Heated glass build plate
Build plate temperature	20 - 100 °C
Build plate leveling	Active leveling
Supported materials	Nylon, PLA, ABS, CPE, CPE+, PC, TPU 95A, PP, PVA, Breakaway
Nozzle diameter	0.25 mm, 0.40 mm, 0.80 mm
Nozzle temperature	180 - 280 °C
Nozzle heat up time	< 2 min
Build plate heat up time	< 4 min (20 - > 60 °C)
Operating sound	50 dBA
Material recognition	Material recognition with NFC scanner
Connectivity	Wi-Fi, LAN, USB port
Monitoring	Live camera

Physical dimensions

Dimensions	342 x 380 x 389 mm
Dimensions (with bowden tube and spool holder)	342 x 505 x 588 mm
Nett weight	10,6 kg
Shipping weight	15,5 kg
Shipping box dimensions	400 x 395 x 590 mm

Power requirements

Input	100 - 240 V 4 A, 50 - 60 Hz 221 W max.
Output	24 V DC, 9.2 A

Ambient conditions

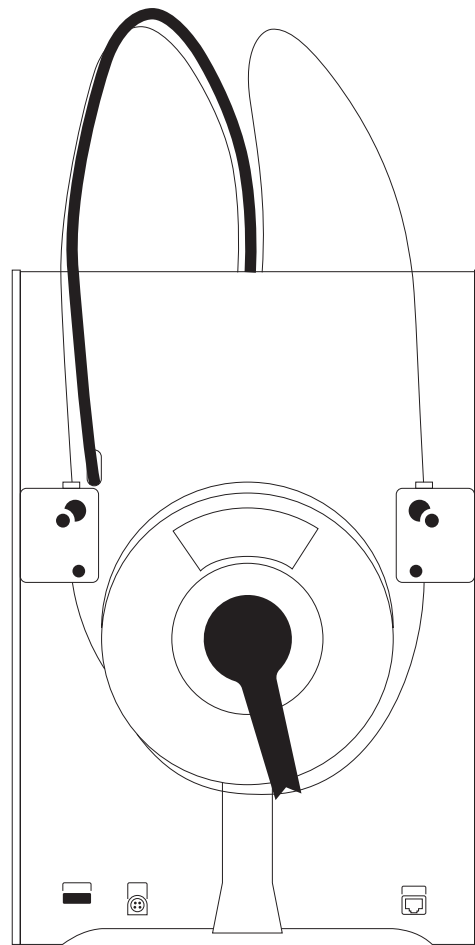
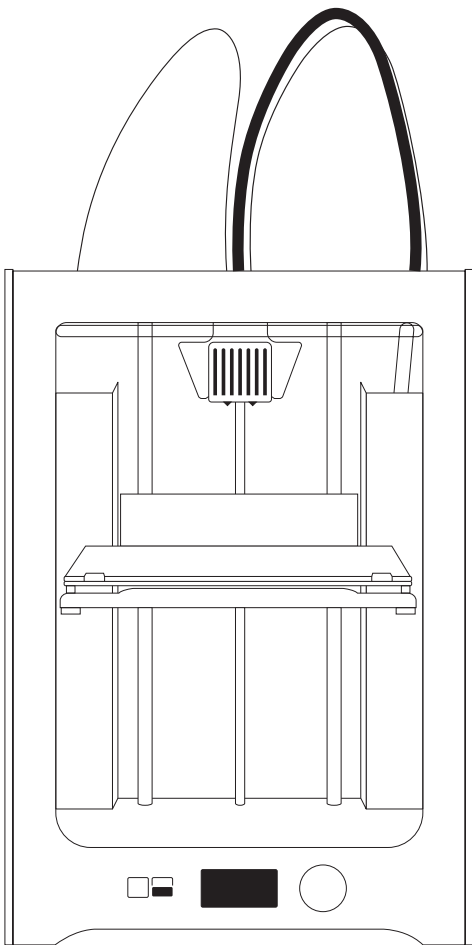
Operating ambient temperature	15 - 32 °C, 10 - 90% RH non condensing See material specifications for optimal conditions
Nonoperating temperature	0 - 32 °C

Software

Supplied software	Cura, our free print preparation software
Supported OS	MacOS, Windows, and Linux
File types	STL, OBJ, X3D, and 3MF G and GCODE BMP, GIF, JPG, and PNG

Ultimaker 3 Extended

Specification sheet



Specifications

Printer and printing properties

Technology	Fused deposition modeling (FDM)
Print head	Dual-extrusion print head with an auto-nozzle lifting system and swappable print cores
Build volume	Left nozzle: 215 x 215 x 300 mm Right nozzle: 215 x 215 x 300 mm Dual material: 197 x 215 x 300 mm
Filament diameter	2.85 mm
Layer resolution	0.25 mm nozzle: 150 - 60 micron 0.40 mm nozzle: 200 - 20 micron 0.80 mm nozzle: 600 - 20 micron
XYZ accuracy	12.5, 12.5, 2.5 micron
Print head travel speed	30 - 300 mm/s
Build speed	< 24 mm ³ /s
Build plate	Heated glass build plate
Build plate temperature	20 - 100 °C
Build plate leveling	Active leveling
Supported materials	Nylon, PLA, ABS, CPE, CPE+, PC, TPU 95A, PP, PVA, Breakaway
Nozzle diameter	0.25 mm, 0.40 mm, 0.80 mm
Nozzle temperature	180 - 280 °C
Nozzle heat up time	< 2 min
Build plate heat up time	< 4 min (20 - > 60 °C)
Operating sound	50 dBA
Material recognition	Material recognition with NFC scanner
Connectivity	Wi-Fi, LAN, USB port
Monitoring	Live camera

Physical dimensions

Dimensions	342 x 380 x 489 mm
Dimensions (with bowden tube and spool holder)	342 x 505 x 688 mm
Nett weight	11,3 kg
Shipping weight	16,8 kg
Shipping box dimensions	400 x 395 x 690 mm

Power requirements

Input	100 - 240 V 4A, 50 - 60 Hz 221 W max.
Output	24 V DC, 9.2 A

Ambient conditions

Operating ambient temperature	15 - 32 °C, 10 - 90% RH non condensing See material specifications for optimal conditions
Nonoperating temperature	0 - 32 °C

Software

Supplied software	Cura, our free print preparation software
Supported OS	MacOS, Windows, and Linux
File types	STL, OBJ, X3D, and 3MF G and GCODE BMP, GIF, JPG, and PNG